

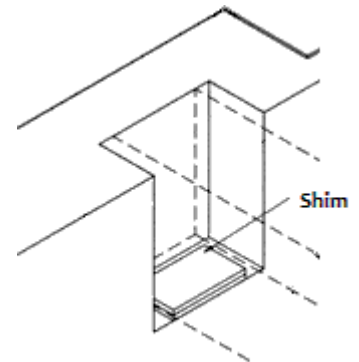
Made of High-Density Polyethylene

PREFERRED BY BUILDING INSPECTORS

WHY CHOOSE THE **BADGER SHIM**?



- High Compression Strength
- Does Not Transfer Moisture
- Will Not Rust or Rot
- Excellent Stability
- Easy to Cut



SIZES:

- 1/8" x 3 1/2" x 5 1/2" – QTY 24 (3" total shimming height per box)
- 1/4" x 3 1/2" x 5 1/2" – QTY 12 (3" total shimming height per box)

ADVANTAGES

- Perfectly sized for beam pockets
- Protects LVL beam from contact with concrete as required by code
- Convenient thicknesses for precision leveling
- Made in the USA